

**PLEASE CHECK WWW.MOLEX.COM FOR LATEST PART INFORMATION**

**Part Number:** [0751949002](#)  
**Status:** **Active**  
**Overview:** vhdm\_hsd  
**Description:** 2.00mm (.079") Pitch VHDM® Lite-Series, Board-to-Board Backplane Header, Vertical, 6-Row, Open Signal Module, 60 Circuits, Pin Length 6.25mm (.246")

**Documents:**

[Drawing \(PDF\)](#) [RoHS Certificate of Compliance \(PDF\)](#)  
[Product Specification PS-74031-999 \(PDF\)](#)

**General**

Product Family	Backplane Connectors
Series	75194
Application	Backplane
Application Tooling Documents	<a href="http://www.molex.com/pdm_docs/ats/TM-622010999.pdf">Tooling Manual</a>
Comments	Open Header
Component Type	PCB Header
Overview	vhdm_hsd
Product Name	VHDM Lite®
Style	N/A

**Physical**

Circuits (Loaded)	60
Circuits (maximum)	60
Color - Resin	Black
Durability (mating cycles max)	200
First Mate / Last Break	No
Guide to Mating Part	No
Keying to Mating Part	None
Material - Metal	High Performance Alloy (HPA)
Material - Plating Mating	Gold
Material - Plating Termination	Tin
Material - Resin	High Temperature Thermoplastic
Number of Columns	10
Number of Pairs	Open Pin Field
Number of Rows	6
Orientation	Vertical
PC Tail Length (in)	0.098 In
PC Tail Length (mm)	2.50 mm
PCB Locator	No
PCB Retention	Yes
PCB Thickness Recommended (in)	0.071 In
PCB Thickness Recommended (mm)	1.80 mm
Packaging Type	Tube
Pitch - Mating Interface (in)	0.079 In
Pitch - Mating Interface (mm)	2.00 mm
Pitch - Term. Interface (in)	0.079 In
Pitch - Term. Interface (mm)	2.00 mm
Plating min: Mating (µin)	30
Plating min: Mating (µm)	0.75
Plating min: Termination (µin)	30
Plating min: Termination (µm)	0.75
Polarized to PCB	No
Stackable	No
Surface Mount Compatible (SMC)	Yes



image - Reference only

Series

**EU RoHS**

**ELV and RoHS Compliant**  
**REACH SVHC Contains SVHC: No**  
**Halogen-Free Status**  
**Not Reviewed**

**China RoHS**



**Need more information on product environmental compliance?**

Email [productcompliance@molex.com](mailto:productcompliance@molex.com)  
 For a multiple part number RoHS Certificate of Compliance, [click here](#)

Please visit the [Contact Us](#) section for any non-product compliance questions.

**Search Parts in this Series**

[75194Series](#)

**Mates With**

[75189 VHDM® Lite Board-to-Board Daughtercard](#)

**Use With**

[Daughtercard Modules](#)

**Application Tooling | FAQ**

*Tooling specifications and manuals are found by selecting the products below. Crimp Height Specifications are then contained in the Application Tooling Specification document.*

**Global**

Description	Product #
VHDM® Signal Pin Inserter Repair Tool	<a href="#">0622015700</a>
VHDM® Insertion Module for Advanced Mate Signal Header,	<a href="#">0622020207</a>

Temperature Range - Operating  
Termination Interface: Style

105°C  
Through Hole - Compliant Pin

6 Row by 10 Wide,  
20.00mm (.787")

### Electrical

Current - Maximum per Contact 2A  
Data Rate 622.0 Mbps  
Real Signals (per 25mm) 75  
Shielded No  
Voltage - Maximum 120V AC (RMS)/DC

### Material Info

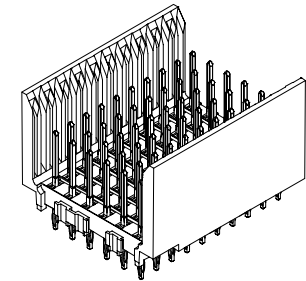
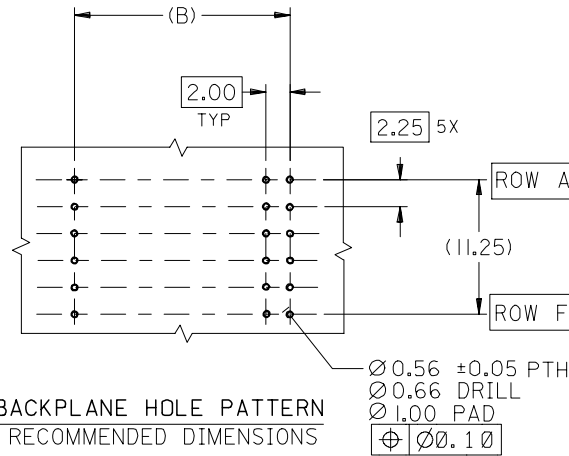
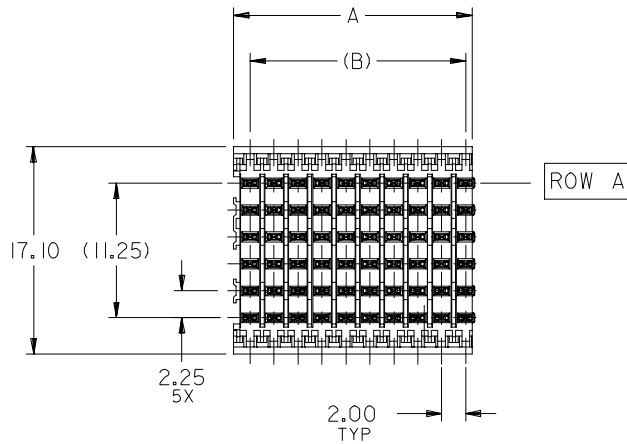
#### Reference - Drawing Numbers

Packaging Specification PK-74057-003  
Product Specification PS-74031-999  
Sales Drawing SD-75194-001

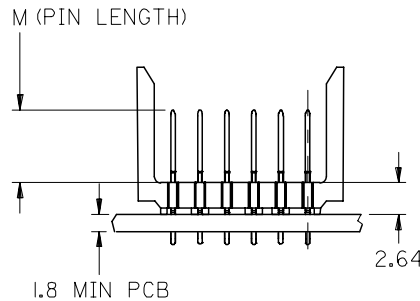
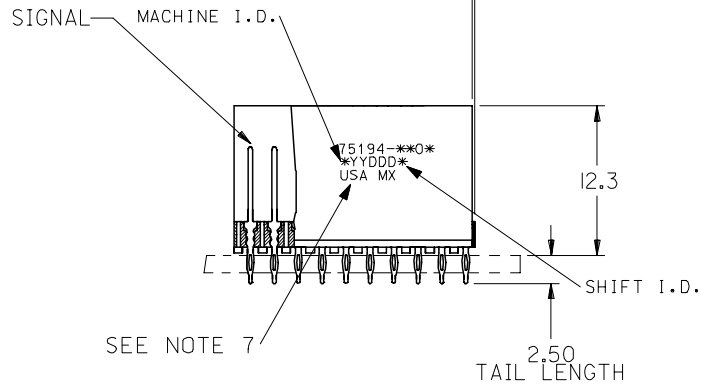
VHDM and Very High Density Metric are trademarks of Amphenol Corporation

This document was generated on 05/28/2010

**PLEASE CHECK [WWW.MOLEX.COM](http://WWW.MOLEX.COM) FOR LATEST PART INFORMATION**



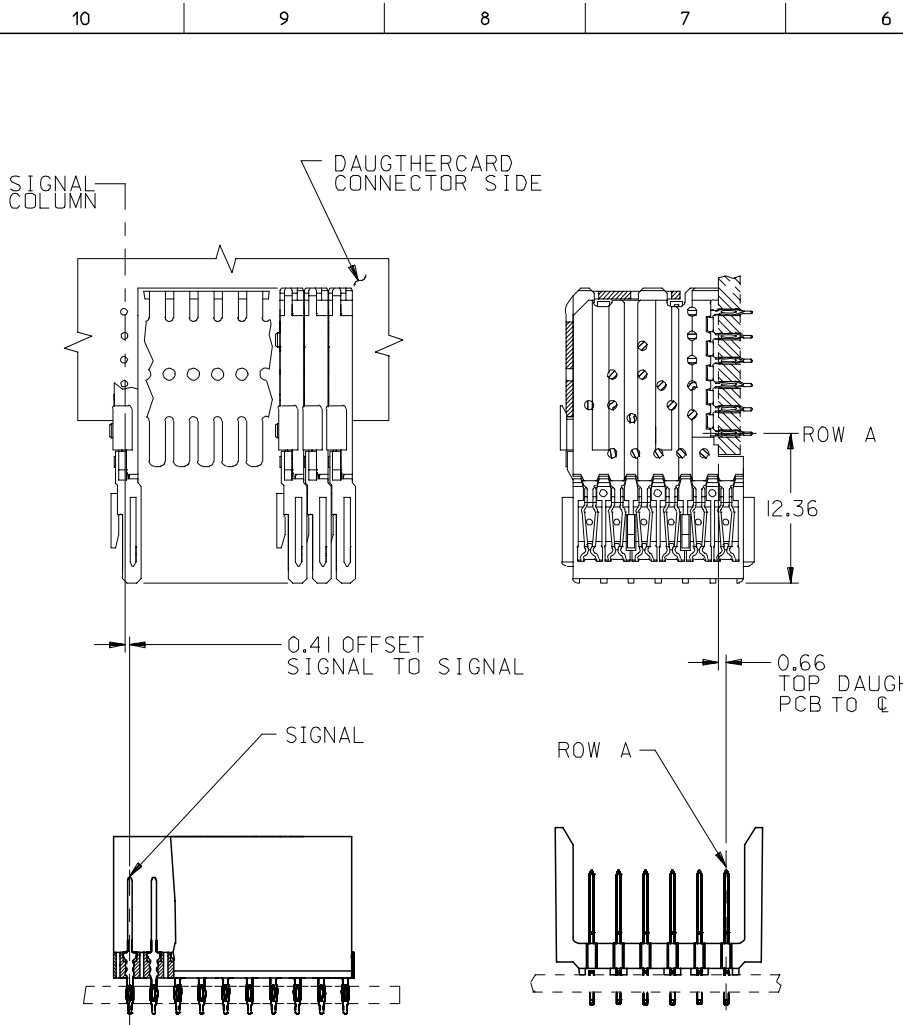
0.21 MAX OVERALL PROTRUSION



**NOTES:**

- MATERIALS:**  
HOUSING - LIQUID CRYSTAL POLYMER (LCP), GLASS-FILLED, UL 94V-0, COLOR: BLACK  
SIGNAL PIN - COPPER ALLOY
- FINISHES:**  
CONTACT AREA: SELECTIVE GOLD (Au)  
PCB TAILS: SELECTIVE TIN/LEAD (Sn/Pb) OR SELECTIVE MATTE TIN (Sn)  
NICKEL (Ni) OVERALL.
- THIS PART CONFORMS TO MOLEX PRODUCT SPECIFICATION PS-74031-999
- FOR MIXED CONTACT LENGTHS CONSULT MOLEX FOR AVAILABILITY
- FOR SPECIFIC MATERIAL NUMBERS & MATING INFORMATION REFER TO SHEET 2
- PACKAGE PER PK-74057-003
- EITHER MARK PART WITH PART NUMBER & DATE CODE APPROXIMATELY WHERE SHOWN OR PLACE LABEL ON THE TUBE.

<b>ADD LEADFREE PINS</b> EC NO: UCP2006-0059 DRWN: KMULVEY 2005/07/13 CHKD: BINGHAM 2005/07/13 APPR: SREED 2005/07/15	<b>DESCRIPTION</b> ▼=0 ▽=0	<b>GENERAL TOLERANCES (UNLESS SPECIFIED)</b>		<b>DIMENSION STYLE</b> MM ONLY	<b>SCALE</b> 2.5:1	<b>DESIGN UNITS</b> METRIC	THIRD ANGLE PROJECTION																									
		<table border="1"> <tr> <th></th> <th>mm</th> <th>INCH</th> </tr> <tr> <td>4 PLACES</td> <td>± ---</td> <td>± ---</td> </tr> <tr> <td>3 PLACES</td> <td>± ---</td> <td>± ---</td> </tr> <tr> <td>2 PLACES</td> <td>± ---</td> <td>± ---</td> </tr> <tr> <td>1 PLACE</td> <td>± ---</td> <td>± ---</td> </tr> </table>		mm	INCH	4 PLACES	± ---	± ---	3 PLACES	± ---	± ---	2 PLACES	± ---	± ---	1 PLACE	± ---	± ---	<table border="1"> <tr> <th>DRAWN BY</th> <th>DATE</th> </tr> <tr> <td>MBANDURA</td> <td>2002/12/18</td> </tr> <tr> <th>CHECKED BY</th> <th>DATE</th> </tr> <tr> <td>NMARTIN</td> <td>2002/12/18</td> </tr> <tr> <th>APPROVED BY</th> <th>DATE</th> </tr> <tr> <td>CBIXLER</td> <td>2002/12/18</td> </tr> </table>	DRAWN BY	DATE	MBANDURA	2002/12/18	CHECKED BY	DATE	NMARTIN	2002/12/18	APPROVED BY	DATE	CBIXLER	2002/12/18	<b>TITLE</b> VHDM LITE 6 ROW OPEN END BACKPLANE SALES ASSEMBLY	
			mm	INCH																												
		4 PLACES	± ---	± ---																												
3 PLACES	± ---	± ---																														
2 PLACES	± ---	± ---																														
1 PLACE	± ---	± ---																														
DRAWN BY	DATE																															
MBANDURA	2002/12/18																															
CHECKED BY	DATE																															
NMARTIN	2002/12/18																															
APPROVED BY	DATE																															
CBIXLER	2002/12/18																															
ANGULAR ±1/2°		<b>MATERIAL NO.</b> SEE SHT 2	<b>DOCUMENT NO.</b> SD-75194-001	<b>SHEET NO.</b> 1 OF 2																												
<b>DRAFT WHERE APPLICABLE MUST REMAIN WITHIN DIMENSIONS</b>		<b>MOLEX INCORPORATED</b> THIS DRAWING CONTAINS INFORMATION THAT IS PROPRIETARY TO MOLEX INCORPORATED AND SHOULD NOT BE USED WITHOUT WRITTEN PERMISSION																														



PART NUMBER	COLUMN	NUMBER OF SIGNAL PIN	NUMBER OF SHIELD	A	B	M	Au (um) THICKNESS	Sn (um) THICKNESS
75194-*001	10	60	0	20.00	18.00	4.75	0.76	0.76-1.52
75194-*501	25	150	0	50.00	48.00		0.76	
75194-*002	10	60	0	20.00	18.00	6.25	0.76	
75194-*502	25	150	0	50.00	48.00		0.76	
75194-*003	10	60	0	20.00	18.00	4.25	0.76	
75194-*503	25	150	0	50.00	48.00		0.76	
75194-*004	10	60	0	20.00	18.00	5.15	0.76	
75194-*504	25	150	0	50.00	48.00		0.76	

### MATERIAL NUMBER ASSIGNMENT

75194- \*\* \*\*  
 SEE TABLE  
 NUMBER OF COLUMNS/PLATING  
 10 = 10 COLUMN TIN/LEAD  
 25 = 25 COLUMN TIN/LEAD  
 90 = 10 COLUMN MATTE TIN  
 85 = 25 COLUMN MATTE TIN

SEE SHEET 1 EC NO: UCP2006-0059 DRWN: KMLVEY 2005/07/13 CHKD: 2005/07/13 APPR: SREED 2005/07/15	QUALITY SYMBOLS ▽=0 ▽=0	GENERAL TOLERANCES (UNLESS SPECIFIED) <table border="1"> <thead> <tr> <th></th> <th>MM</th> <th>INCH</th> </tr> </thead> <tbody> <tr> <td>4 PLACES</td> <td>± ---</td> <td>± ---</td> </tr> <tr> <td>3 PLACES</td> <td>± ---</td> <td>± ---</td> </tr> <tr> <td>2 PLACES</td> <td>± ---</td> <td>± ---</td> </tr> <tr> <td>1 PLACE</td> <td>± ---</td> <td>± ---</td> </tr> </tbody> </table>		MM	INCH	4 PLACES	± ---	± ---	3 PLACES	± ---	± ---	2 PLACES	± ---	± ---	1 PLACE	± ---	± ---	DIMENSION STYLE MM ONLY DRAWN BY: MBANDURA DATE: 2002/12/18 CHECKED BY: NMARTIN DATE: 2002/12/18 APPROVED BY: CBIXLER DATE: 2002/12/18 ANGULAR ±1/2°	SCALE 2.5:1 DESIGN UNITS METRIC THIRD ANGLE PROJECTION	TITLE VHM LITE 6 ROW OPEN END BACKPLANE SALES ASSEMBLY MOLEX INCORPORATED
		MM	INCH																	
	4 PLACES	± ---	± ---																	
	3 PLACES	± ---	± ---																	
2 PLACES	± ---	± ---																		
1 PLACE	± ---	± ---																		
DRAFT WHERE APPLICABLE MUST REMAIN WITHIN DIMENSIONS	MATERIAL NO. SEE CHART	DOCUMENT NO. SD-75194-001	SHEET NO. 2 OF 2																	
THIS DRAWING CONTAINS INFORMATION THAT IS PROPRIETARY TO MOLEX INCORPORATED AND SHOULD NOT BE USED WITHOUT WRITTEN PERMISSION																				